

CABLAS s.r.l.

Via Michelangelo Buonarroti, 52/B - 20093 Cologno M.se (Mi)

X- RAY PROTECTION FOR VASCULAR RADIOLOGY

V- SP-41



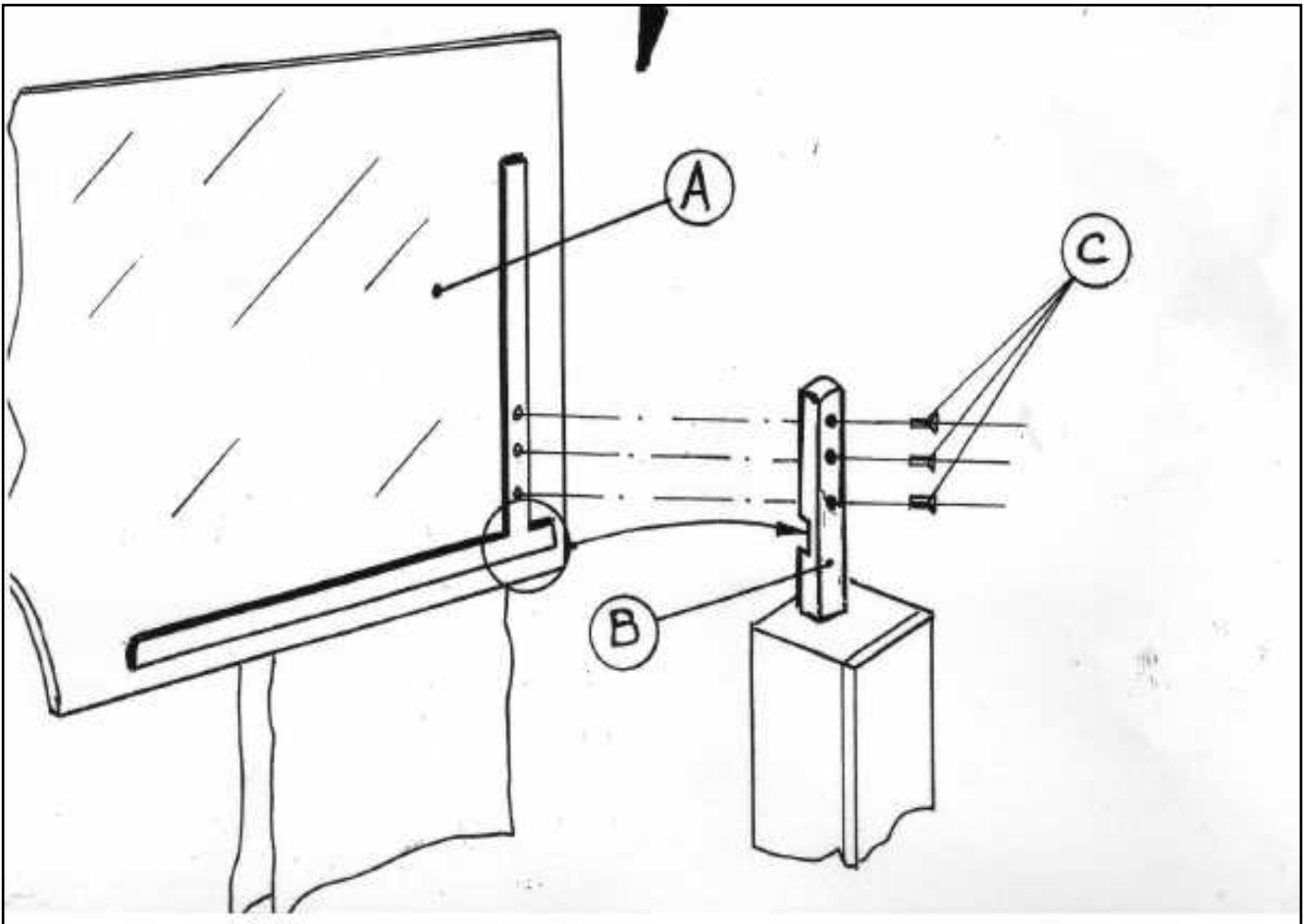
INSTRUCTIONS HANDBOOK

CE

REV.01/2015

1) Position the screen full of acrylic blanket (A) in the seat to "cross" of the pin (B)

2) Lock the screen (A) to the pin (B) using the three screws (C)



CODE	DESCRIPTION
V-SP-41	Screen with shaped glass for vascular - surgical

CE CONFORMITY DECLARATION

The undersigned "CABLAS S.r.l."
office at Via Michelangelo Buonarroti 52/B
20093 Cologno Monzese (MI) - ITALY

DECLARES

Under own responsibility that the product

X RAY PROTECTION FOR VASCULAR RADIOLOGY

Codes

V-SP-41

This declaration is conforms to the Directive:

"MEDICAL DEVICE" 93/42/ CEE incorporated with D. Lgs. N°6 24/Feb /1997 and
subsequent

the classification of the product in accordance with Annex IX to this Directive, CLASS 1

this statement has been prepared in accordance with Annex VII of the Directive itself

Cologno Monzese, year 2013

CABLAS S.R.L.
Via Michelangelo, 52/B
20093 COLOGNO MONZESE (MI)
S.p.A. - Via Sommarivoli, 34 - COLOGNO M. SE.
Tel. R.A. 02 2538080 - Fax 02 27305644
C.A.B. P.I. n° 08 11803230158

