

CABLAS s.r.l.

Via Michelangelo Buonarroti, 52/B - 20093 Cologno M.se (Mi)

**X- RAY PROTECTION FOR
VASCULAR RADIOLOGY**

V-SP-40



**INSTRUCTION AND INSTALLATION
HANDBOOK**

CE

REV.01/2015

CAUTION

Do not remove the red coloured transit screw in the lower central section, until the legs and castors are fitted and the shield is upright and floor standing.

The lead acrylic top section is held under tension inside the metal casing during transit. If the shield is not upright when the transit screw is removed, the top could move with speed and force.

This carton contains the following items:

N° 1-Shield body;

N° 2-Legs;

N° 4-Castors;

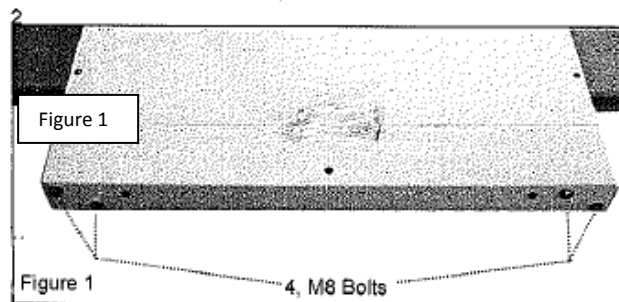
N° 4-M10 Crinkle washer;

N° 4-M10 Plain washer;

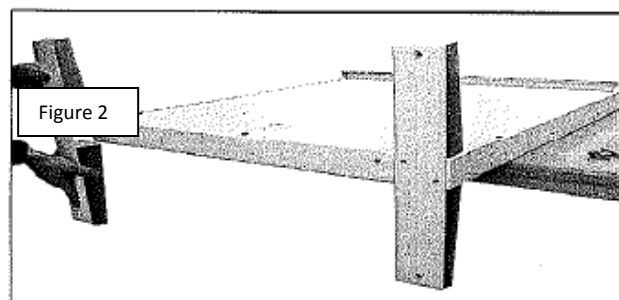
N° 1-M6 Thread grommet;

N° 1-4mm A/F Allen Key;

You will need, in addition to the supplied Allen Key , a 13mm open – ended spanner to assemble this shield



be required to assemble this shield.

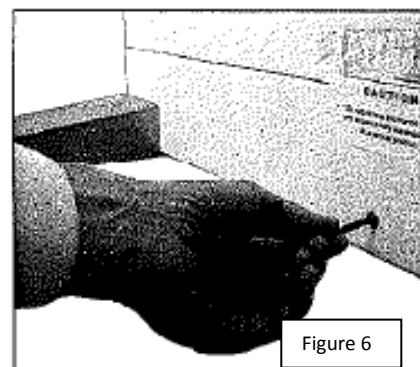
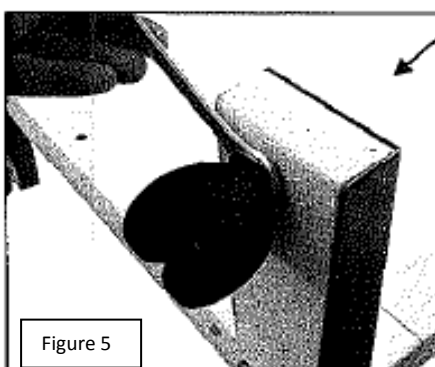
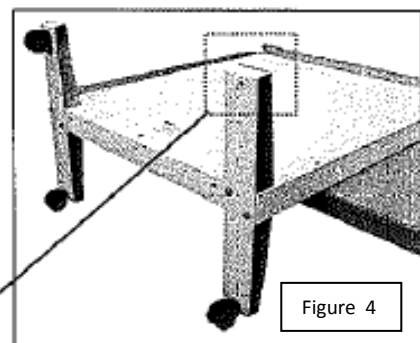
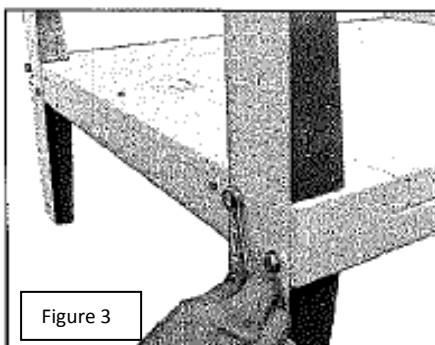
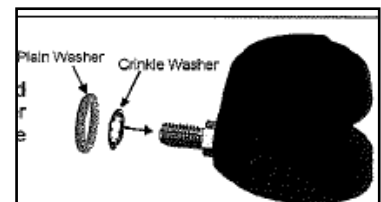


OPERATIONS

- Cover the top of a suitable horizontal surface (desk or table) to protect the shield. Lay the shield flat to again access to bottom edge – see figure 1 & 2
- Remove the 4 M8 bolts from bottom edge of shield and use these to attach legs to either side – see figure 1,2 & 3
- Attach 2 castors to each leg ensuring that the M10 Crinkle Washer are in place – see figure 4 & 5 and note below.
- Stand the shield upright on the floor and remove red coloured transit screw – see figure 6

IMPORTANT

NOTE: ensure that the M10 Crinkle Washer and Plain Washer are in position, in the order illustrated here, before securing the castors to the legs



CODE	DESCRIPTION
V-SP-40	X-ray protection fo vascular- surgical radiology use



Via Michelangelo Buonarroti, 52/B
 20093 Cologno Monzese (MI)
 Tel. (02) 253.80.89 r.a. - Telefax (02) 27300844
 Sito Internet: www.cablas.com
 E-mail: cablas@cablas.com

SCHERMATURE ANTIX - ACCESSORI PER RADIOLOGIA

CE CONFORMITY DECLARATION

The undersigned "CABLAS S.r.l."
 office at Via Michelangelo Buonarroti 52/B
 20093 Cologno Monzese (MI) - ITALY

DECLARES

Under own responsibility that the product

X RAY PROTECTION FOR VASCULAR RADIOLOGY

Codes

V-SP-40

This declaration is conforms to the Directive:

"MEDICAL DEVICE" 93/42/ CEE incorporated with D. Lgs. N°46 24/Feb /1997and subsequent

the classification of the product in accordance with Annex IX to this Directive, CLASS 1

this statement has been prepared in accordance with Annex VII of the Directive itself

Cologno Monzese, year 2013

CABLAS S.R.L.
 Via Michelangelo, 52/B
 20093 COLOGNO MONZESE (MI)
 S.r.l. - Via Sormani 34 - COLOGNO M. SE
 Tel. R.A. 02 2530088 - Fax 02 27300844
 Cod. Fisc. e P. IVA 11803230156

