



Via Michelangelo Buonarroti, 52/B - 20093 Cologno M.se (Mi)

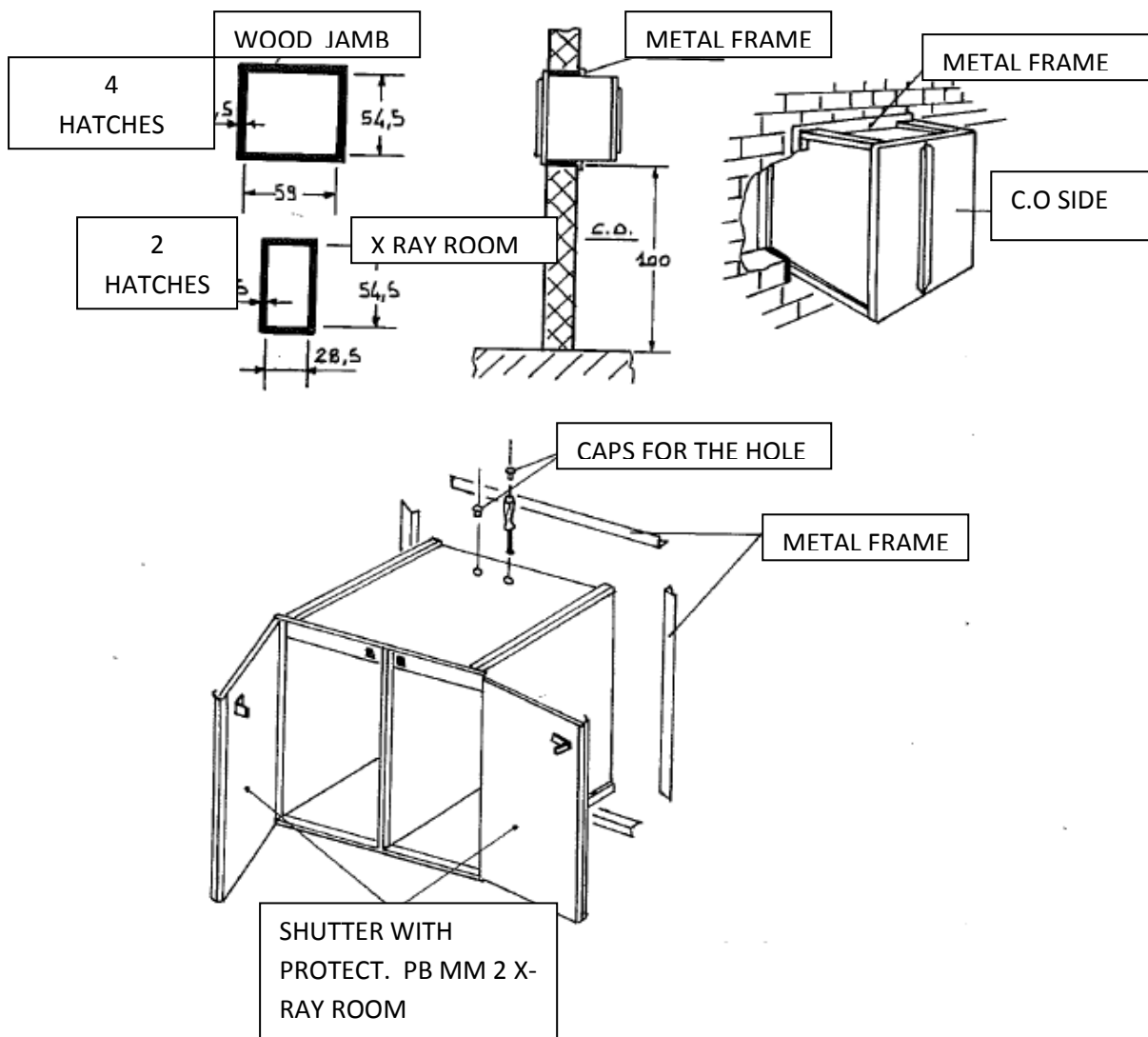
## INSTRUCTION AND INSTALLATION



## PASSE - CASSETTES

REV.01/2015

- 1) It is necessary to arrange (at clients care) a false frame in fir wood, with the dimensions as per above drawings A and B
- 2) Insert the passe – cassettes in the arranged space, from the side Diagnostic RX
- 3) Fix it properly with wedge or thickness.
- 4) Apply the frame composed of n° 4 pieces, from the dark room.



CODICE	HATCHES	DIMENSION OUTSIDE	WALL HOLE
D-PS-01	2	CM 35 X 58 X 54H	CM 28,5 X 54,5
D-PS-02	4	CM 66 X 58 X 54H	CM 58,5 X 54,5

## CE CONFORMITY DECLARATION

The undersigned "CABLAS S.r.l."  
office at Via Michelangelo Buonarroti 52/B  
20093 Cologno Monzese (MI) - ITALY

DECLARES  
Under own responsibility that the product

### PASSE-CASSETTES

Codes

D-PS-01	D-PS-02
---------	---------

which this declaration referred , is made according to the following rules:  
Legislative Decree n. 626 dtd 19/12/1994 integrated by Legislative Decree n. 242 dtd  
19/03/81996 specifically Article n. 6 (obligation of planners, manufacturers, suppliers and  
installers)

Therefore corresponding to essential requirements of the rule:  
-the front protection with Pb mm 2 conforms to " GOOD TECHNIC" rules stated by Art 72 of L.  
Decree 230 dtd 1995, receipt by Euratom Directive regarding Ionizing Radiations;  
-the same protection has been manufactured by specialized workshop;  
-the lead is first fusion and pure title 99.9 %

Cologno Monzese, year 2013

**CABLAS S.R.L.**  
Via Michelangelo, 52/B  
20093 COLOGNO MONZESE (MI)  
S.U.: Via Sormani/34 - COLOGNO M.SE  
Tel. R.A. 02 2538088 - Fax 02 27300644  
Cod. Fisc. e P. IVA 11903230156

