

CABLAS s.r.l.

Via Michelangelo Buonarroti, 52/B - 20093 Cologno M.se (Mi)

DRYER



INSTRUCTION AND INSTALLATION HANDBOOK

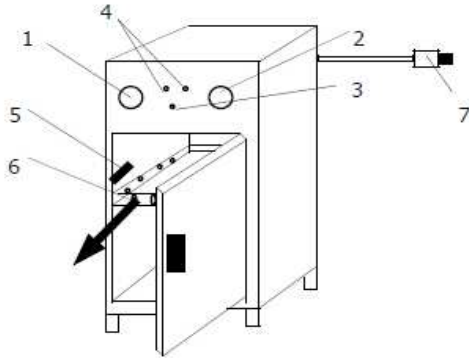


REV.01/2015

1.0 INTRODUCTION

The structure of the dryers is made is stove enameled steel, to protect the device against water and chemical residual from x-ray films. They are made in two different models:

- Model with capacity for 15 hangers - Dim. cm 59 x 50 x 120 h – Kg 30



LEGEND

- 1-Heating
- 2-Timer
- 3-Shining led for heating beginning
- 4-Fusible
- 5-Feeler
- 6-Extractable hangers
- 7-Electrical plug

2.0 INSTALLATION

Before beginning installation, be sure that the supplied material is complete in all parts. The dryers are carefully tested during production and are therefore ready to be used. Connect the plug (7) into the socket, provide nearby a socket 10A, 230Vac + Earth, 50 Hz.

3.0 OPERATION

To operate, set the desired temperature on the graduated scale of the heating (1).

Inside the dryers the feeler is positioned (5) to check the temperature. For activation you only have to rotate the timer (2) setting the desired time.

For all the set time, a fan works for a better distribution of the hot air in the dryer.

The shining led (3) will show when the heating cycle is activated.

The fusible (4), are of type lagging 5A.

4.0 LOADING

The opening for both the models is frontal, so that you can easily load and download the film hangers into the appropriate sliding support (6).

5.0 MAINTENANCE

The dryer doesn't need a special maintenance besides usual cleaning (disconnect the plug) . In case of faulty working, check the quality of the fuses and eventually replace them with other similar models. If the faulty working persists, call the closest Cablas srl service-point.

ATTENTION: All the installation and/or maintenance operations must be done by authorized and qualified persons only after disconnection of the plug.

6.0 WARRANTY

The repair and replacement of faulty parts is under guarantee. Warranty doesn't include indirect damage and every kind of consumables are excluded.

Warranty is also not valid in case of failure in observing rules and instructions included in this handbook.

ATTENTION: This handbook must be kept during all the life of the dryer and must always be at disposal of operators and maintenance staff.

| CODE | DIMENSION | VOLT | WATT | WEIGHT |
|----------------|-------------------|-------------|-------------|---------------|
| E-EA-03 | CM 59 X 50 X 120H | 220/50 Hz | 1000 | KG 30 |

CE CONFORMITY DECLARATION

The undersigned "CABLAS S.r.l."
office at Via Michelangelo Buonarroti 52/B
20093 Cologno Monzese (MI) - ITALY

DECLARES
Under own responsibility that the product

DRYER

Codes

E-EA-03

which this declaration refers to, meet the following rules:

for the electrical security
EN 60601-1 ed. 1990

For the electromagnetic compatibility
EN 60601-1-2 ed. 1993/ EN55011 Ed.1990

Therefore meets the essential requirements of the Directive:
"Medical Devices" 93/42 CEE acknowledged with Decree n.46 dtd 24/02/1997 and further
amendments.

Moreover, the present Declaration is based on:

- Declaration requested by the enclosure VII of the Directive 93/42/CEE.
- The classification of the product, according to the enclosure IX of the present Directive,
is of CLASS 1.

Cologno Monzese, year 2013

CABLAS S.R.L.
Via Michelangelo, 52/B
20093 COLOGNO MONZESE (MI)
S.r.l. - Via Sormani/34 - COLOGNO M.SE
Tel. R.A. 02 2538088 - Fax 02 27300644
Cod. Fisc. e P. IVA 11909230156

