



Via Michelangelo Buonarroti, 52/B - 20093 Cologno M.se (Mi)

## **TYPE A TANK A-VS-22**



Manual development of films rx up to the format cm 30 X 40

### **INCLUDED:**

- 2 Fixed compartments 2.5 lt for developing and fixing
- 1 Fixed compartment by 15 lt for intermediate and final washing

### **DIMENSION :**

Cm 22 x 38 x 53

**WEIGHT:** 11 Kg

## **INSTRUCTION AND INSTALLATION**

### **HANDBOOK**

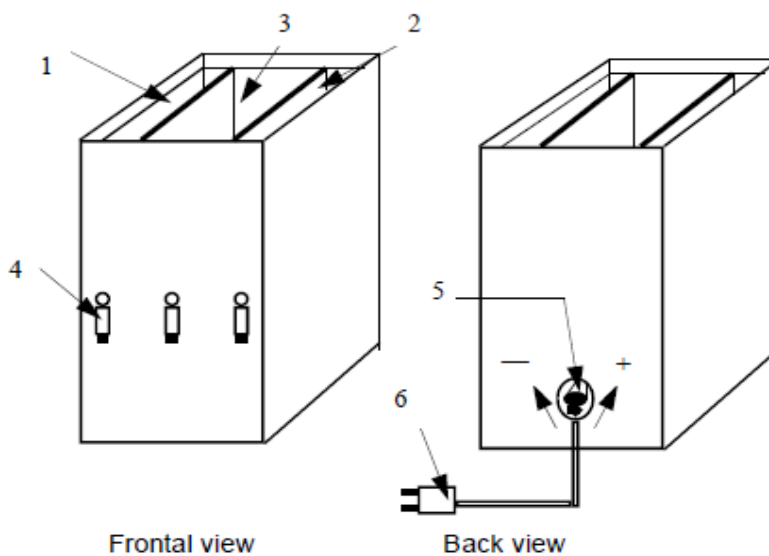


REV.01/2015

## 1.0 INTRODUCTION

Construction in acid-proof pvc in order to grant longer quality, reliability and guarantee.

The tank is divided in 3 independent partitions: developing cap. lt 2.5 (1) fixing cap. lt. 2.5 (2) and one for the intermediate and final washing cap lt 15 (3). Each partition is equipped with a tape (4) for discharge. It is also equipped with lid to prevent dispersion of acid fumes.



### Legend:

- 1: Developing tank
- 2: Fixing tank
- 3: washing tank
- 4: Discharge tapes

**DIMENSION:**

cm 22x38x53

**WEIGHT:**Kg 11

## 2.0 INSTALLATION

Before proceeding with installation, PLS control that the material delivered is complete in all parts.

- SUPPORT BASIS

In order to avoid unwanted overturning, always verify that the tank is on a plan.

### **3.0 ACTIVATION**

Insert the plug into the outlet of the tank, lift the lever of this general framework in the "ON" position and the unit is running.

### **4.0 MAINTENANCE**

The **TANK TYPE A** doesn't need a special maintenance.

We suggest a periodical cleaning with a not abrasive sponge.

### **5.0 GUARANTEE**

The repair and replacement of faulty parts is under guarantee. Guarantee doesn't include indirect damage and every kind of consumer material is excluded.

Guarantee is also not valid in case of failure in observing rules and instructions included in this handbook.

**ATTENTION: THIS HANDBOOK MUST BE KEPT DURING ALL THE LIFE OF TANK "A" AND MUST BE ALWAYS AT DISPOSAL OF OPERATORS AND MAINTENANCE STAFF.**

**CABLAS s.r.l. company decline every kind of responsibility in case of omission or tempering of the device.**