



Via Michelangelo Buonarroti, 52/B - 20093 Cologno M.se (Mi)

TANK TYPE A THERMOREGULATED A-VS-24



Manual development of films rx up to the format cm 30 X 40

INCLUDED:

-2 Fixed compartments 2.5 lt for developing and fixing

-1 Fixed compartment by 15 lt for intermediate and final washing.

-W150-V220-Hz50

DIMENSION :

Cm 22 x 38 x 53

WEIGHT: 11.5 Kg

INSTRUCTION AND INSTALLATION

HANDBOOK

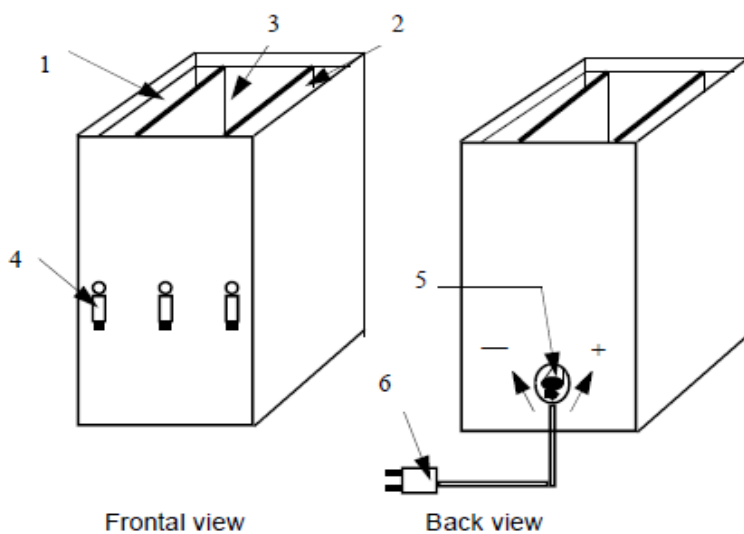


REV.01/2015

1.0 INTRODUCTION

Construction in acid-proof pvc in order to grant longer quality, reliability and guarantee.

The tank is divided in 3 independent partitions: developing cap. It 2.5 (1) fixing cap. It. 2.5 (2) and one for the intermediate and final washing cap It 15 (3). Each partition is equipped with a tape (4) for discharge. It is also equipped with lid to prevent dispersion of acid fumes.



Legend:

- 1: Developing tank
- 2: Fixing tank
- 3: washing tank
- 4: Discharge tapes
- 5- Thermostating heating
- 6- Plug

DIMENSION:

cm 22x38x53

WEIGHT:Kg 11.5

2.0 INSTALLATION

Before proceeding with installation, PLS control that the material delivered is complete in all parts.

- SUPPORT BASIS

In order to avoid unwanted overturning, always verify that the tank is on a plan.

- ELECTRIC CONNECTION

The tank is supplied with electric cable.

The user must predispose a plug near to the tank with the same or superior capacity to 6A with ground tap.

3.0 ACTIVATION

The operation of the tank is very easy it is enough to insert the plug (6) in the socket and the socket will start to heat.

4.0 MAINTENANCE

The **TANK TYPE A** doesn't need a special maintenance.

We suggest a periodical cleaning with a not abrasive sponge.

5.0 REGULATION

The heating is shielded with insulation suitable to be immersed in the liquids, it has a range of regulation from 18° to 32°.

To modify the value setted up it must act on the little knob (5) jutting and it must rotate it in the requested sense, considering that rotating down and up towards the right side the temperature increases and vice versa towards the left side the temperature reduces.

6.0 INNER PART REPLACEMENT

If the alimentation cable or the heating is damaged, it has to be replaced by expert staff after taking away the plug.

7.0 GUARANTEE

The repair and replacement of faulty parts is under guarantee.

Guarantee does not include indirect damage and every kind of customer material is excluded.

Guarantee is also not valid in case of failure in observing rules and instructions in this handbook.

ATTENTION: THIS HANDBOOK MUST BE KEPT DURING ALL THE LIFE OF "TANK TYPE A THERMOREGULATED" AND MUST BE ALWAYS AT DISPOSAL OF OPERATORS AND MAINTENANCE STAFF.

CABLAS SRL company declines every kind of responsibility in case of omission or tempering of the device.